

# Cam-Lok® E-Z Series



All Cam-Lok part numbers available in convenient, single-use, color-coded packaging.

MALE PLUG					
	COLOR	CABLE SIZE	COMPLETE PART NO.	CONTACT ONLY PART NO.	INSULATOR ONLY PART NO.
CRIMP	BLACK	#3/0-4/0	E-Z1016-8030	A200038-6	E-Z200074-60
	RED		E-Z1016-8032	A200038-6	E-Z200074-62
	GREEN		E-Z1016-8034	A200038-6	E-Z200074-64
	WHITE		E-Z1016-8035	A200038-6	E-Z200074-65
	BLUE		E-Z1016-7708	A200038-6	E-Z200074-66
	BROWN		E-Z1016-7709	A200038-6	E-Z200074-67
	ORANGE		E-Z1016-8033	A200038-6	E-Z200074-63
	YELLOW		E-Z1016-8031	A200038-6	E-Z200074-61

FEMALE PLUG					
	COLOR	CABLE SIZE	COMPLETE PART NO.	CONTACT ONLY PART NO.	INSULATOR ONLY PART NO.
CRIMP	BLACK	#3/0-4/0	E-Z1016-8080	A200035-14	E-Z200075-60
	RED		E-Z1016-8082	A200035-14	E-Z200075-62
	GREEN		E-Z1016-8084	A200035-14	E-Z200075-64
	WHITE		E-Z1016-8085	A200035-14	E-Z200075-65
	BLUE		E-Z1016-7724	A200035-14	E-Z200075-66
	BROWN		E-Z1016-7725	A200035-14	E-Z200075-67
	ORANGE		E-Z1016-8083	A200035-14	E-Z200075-63
	YELLOW		E-Z1016-8081	A200035-14	E-Z200075-61

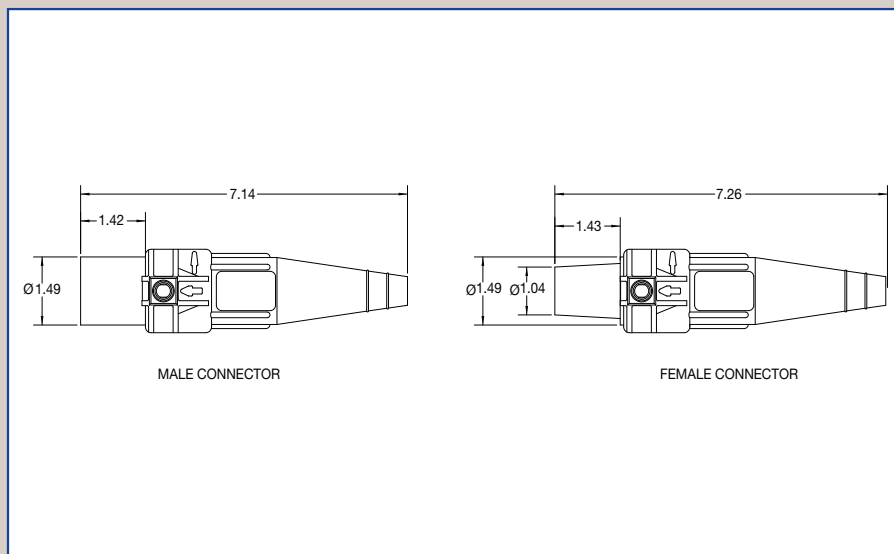


E-Z1016-7708



E-Z1016-7724

E-Z1016 Series



**CAM-LOK "J" POWER SERIES**  
RECEPTACLES AND PLUGS PROVIDE THE MEANS TO QUICKLY CONNECT AND DISCONNECT POWER SYSTEMS SAFELY AT CONCERTS AND CARNIVALS AS WELL AS CONNECTING GENERATORS, STANDBY POWER, AND LOAD TESTING IN HOSPITALS, UTILITIES AND HEAVY INDUSTRIAL ENVIRONMENTS.

**RATINGS: 600 VOLTS UP TO 400 AMPERES CONTINUOUS**

**STANDARD MATERIALS**  
CABLE SIZE: 3/0 - 4/0  
CONNECTOR BODY: TPE  
CONTACT: COPPER

**AGENCY APPROVALS**  
UL LISTED E67181  
CSA CERTIFIED LR13963

**ENVIRONMENTAL RATING: NEMA 3R, 4**